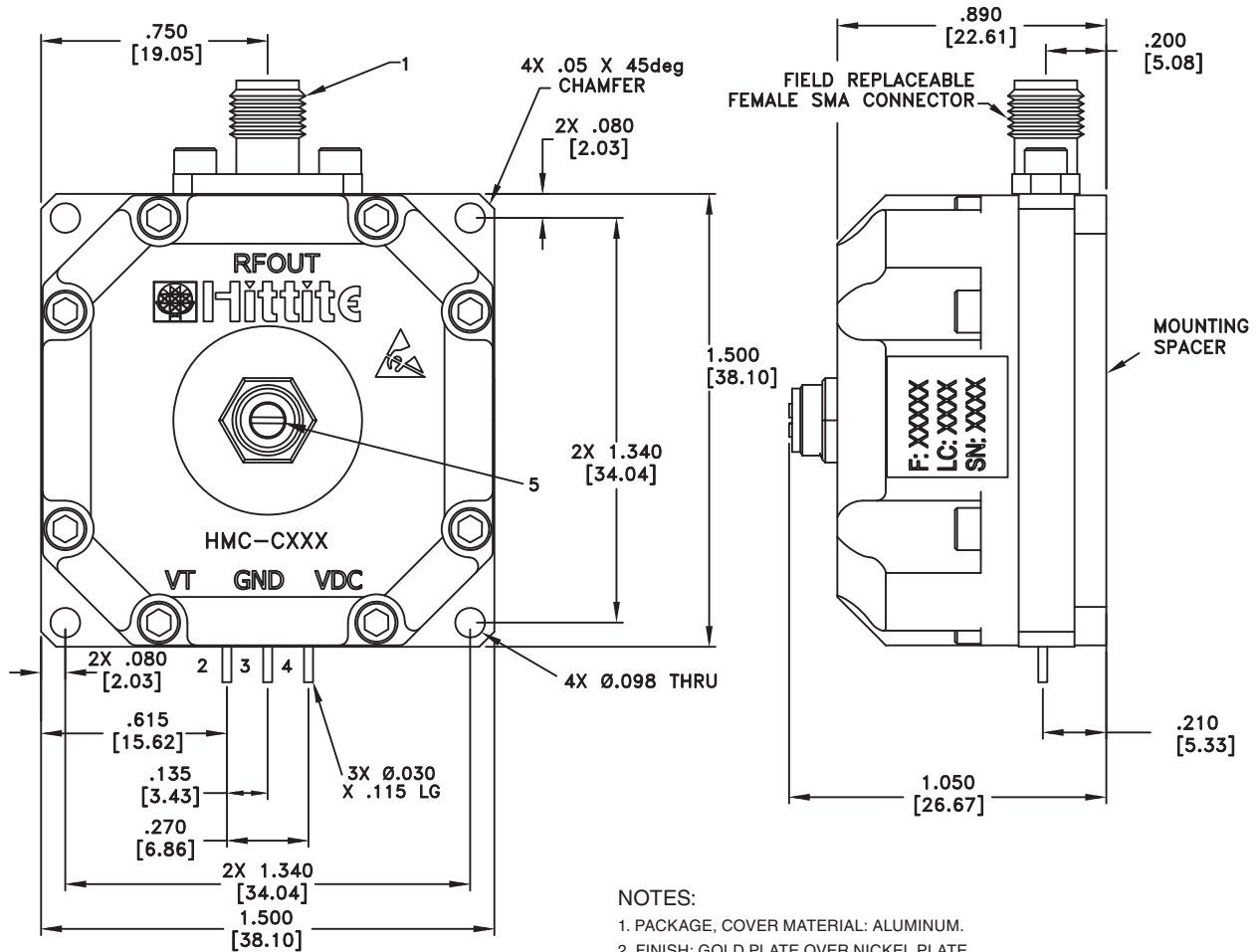


## C-18 – CONNECTORIZED HERMETIC MODULE

### C-18 Package Outline Drawing



#### NOTES:

1. PACKAGE, COVER MATERIAL: ALUMINUM.
2. FINISH: GOLD PLATE OVER NICKEL PLATE.
3. MOUNTING SPACER: NICKEL PLATED ALUMINUM.
4. ALL DIMENSIONS ARE IN INCHES [MILLIMETERS].
5. TOLERANCES: UNLESS OTHERWISE SPECIFIED
  - 5.1 .XX =  $\pm .02$  [.51]
  - 5.2 .XXX =  $\pm .010$  [.25]
6. MARK LABEL PER PART NO. 124587 AS SHOWN.